

# SLV TRACK SYSTEMS

---

3-phase busbar systems  
for professional lighting projects



always  
up to date!

---

download the current pricelist for the 3-phase track systems at

[www.KS-Light.co.uk/price\\_list\\_3-PHASE](http://www.KS-Light.co.uk/price_list_3-PHASE)

or scan the qr-code below!



Find our terms and conditions for business customers [here](#)



## KS LICHT and SLV : strong partners in lighting for 30 years

### PICK-UP CENTRE IN ESSEN

For 30 years, KS Licht- und Elektrotechnik GmbH has complemented SLV products and services with a wide range of services. We maintain a collection centre for SLV products in the heart of the Ruhr area, where you can collect the goods ordered from us at short notice..

### EXPERIENCE SLV LUMINAIRES LIVE

We present a large selection of SLV luminaires on more than 300 m<sup>2</sup> of exhibition space. Here, our professionally trained consultants and lighting designers will advise you personally. At the same time, you can use our exhibition to present our luminaires to your customers in terms of function and effect. Convince yourself of the quality of our outdoor luminaires in the outdoor exhibition.

### FREE LIGHTING DESIGN

We develop practical lighting solutions with you and according to your needs. Whether for business premises, salesrooms or private ambience: our lighting designers always have the right concepts for a demand-oriented and energetically sensible solution. We will be happy to calculate the payback time of your new, energy-saving LED lighting for you.

### KS MULTI-BRAND LUMINAIRES ONLINE SHOP

In our business online shop at [www.business.KS-Light.co.uk](http://www.business.KS-Light.co.uk) you will find everything that supports you in your daily work:

- Current special offers and new products
- Online check of product availability
- Find and order all spare parts easily
- Quick order form
- All catalogues for download or as a flip catalogue with product links
- Specification texts, light distribution curves/LDT plug-ins and quick calculation tables

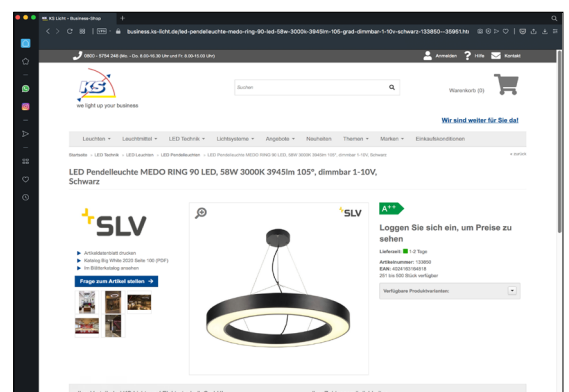
**KS Licht- u. Elektrotechnik GmbH**  
**Manderscheidtstr. 8c**  
**45141 Essen**

Tel.: +49 (0)201-899 24-0  
Fax: +49 (0)201-899 24-124

Onlineshop: [www.KS-Light.co.uk](http://www.KS-Light.co.uk)  
Internet: [www.KS-Germany.com](http://www.KS-Germany.com)  
Email: [Verkauf@KS-Germany.com](mailto:Verkauf@KS-Germany.com)

### Visit us on site or call us:

Monday - Thursday from 08.00 hrs to 16.30 hrs  
Friday from 08.00 hrs to 15.00 hrs



Scan the link to our quick order form and get up-to-date information about the availability of goods!



[www.KS-Light.co.uk/quick-order-form](http://www.KS-Light.co.uk/quick-order-form)



For sophisticated technical projects: You can master any lighting design challenge by using lots of track elements that can be freely combined.

# CONTENTS

## SLV S-TRACK SYSTEM

3-phase surface-mounted track and accessories **6–9**

## 3-PHASE LIGHTS

NUMINOS® S, M, L **10–15**

NUMINOS® S, M, L DALI **16–21**

SIGHT MOVE DALI **22–23**

SIGHT TRACK DALI **24–25**

ONE 40 TRACK DALI **26–27**

## EUTRAC® SYSTEM

3-phase surface-mounted track and accessories **28–31**

## EUTRAC® SYSTEM

3-phase recessed track and accessories **32–33**

## COMPATIBILITY

3-phase busbars **34–35**

## NUMINOS® CONFIGURATOR

Configure spots online **36–37**

## SYMBOL KEY

**39**



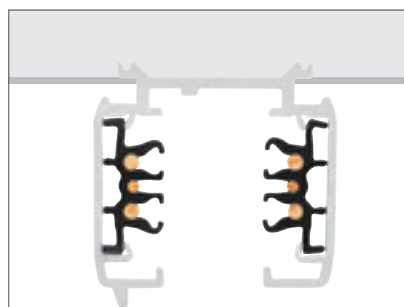
# S-TRACK

## 3-phase surface-mounted track DALI

### Your professional track

The S-TRACK 3-phase busbars are ideal for shops, museums, hotels and restaurants. The large number of powerful spotlights allow a wide variety of lighting scenarios that can be controlled on separate electrical circuits.

- A large selection of powerful spotlights
- Separately controlled electrical circuits
- Relatively independent from power outlet points
- Scalability thanks to many track elements
- Compatible with DALI smart lighting projects



	1 m	1 m	2 m	2 m
Nominal voltage (V)	220-240 V ~50/60 Hz	220-240 V ~50/60 Hz	220-240 V ~50/60 Hz	220-240 V ~50/60 Hz
Max. current (A)	16	16	16	16
Max. mech. load	30 kg	30 kg	30 kg	30 kg
Material	aluminium	aluminium	aluminium	aluminium
Colour	■ black	□ white	■ black	□ white
L x W x H (cm)	100 x 3.6 x 3.6	100 x 3.6 x 3.6	200 x 3.6 x 3.6	200 x 3.6 x 3.6
Weight (kg)	0.9	0.9	1.84	1.84
Prod. no.	1004937	1004938	1002631	1002632

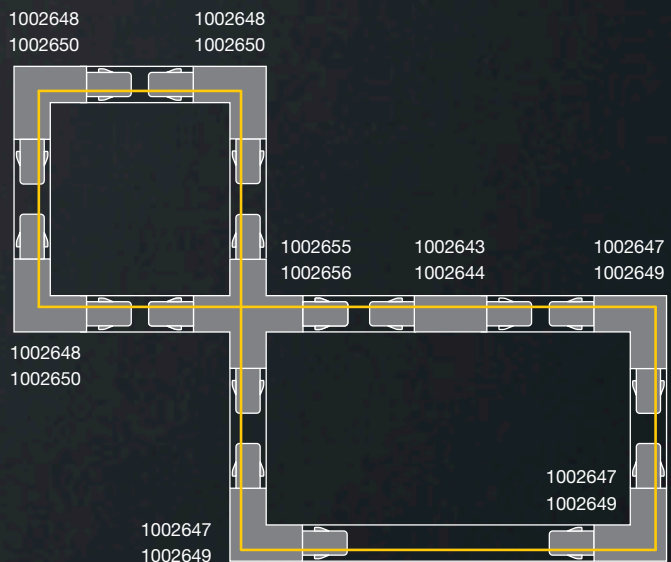
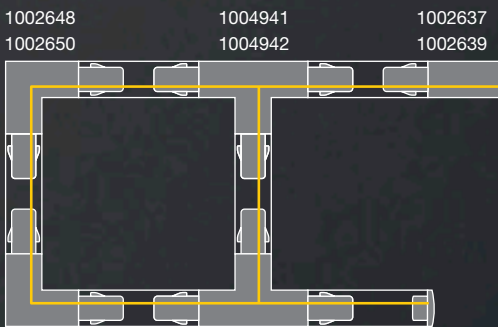
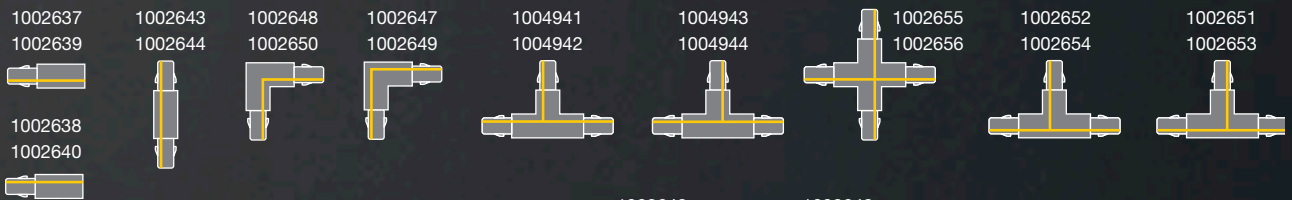
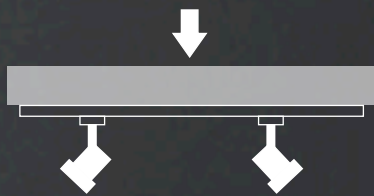


	3 m	3 m	4 m	4 m
Nominal voltage (V)	220-240 V ~50/60 Hz	220-240 V ~50/60 Hz	220-240 V ~50/60 Hz	220-240 V ~50/60 Hz
Max. current (A)	16	16	16	16
Max. mech. load	30 kg	30 kg	30 kg	30 kg
Material	aluminium	aluminium	aluminium	aluminium
Colour	■ black	□ white	■ black	□ white
L x W x H (cm)	300 x 3.6 x 3.6	300 x 3.6 x 3.6	400 x 3.6 x 3.6	400 x 3.6 x 3.6
Weight (kg)	2.76	2.76	3.53	3.53
Prod. no.	1002633	1002634	1002635	1002636

# S-TRACK

3-phase DALI surface-mounted track  
 Planning assistance and accessories at a glance

View of components from above  
 on the installation side



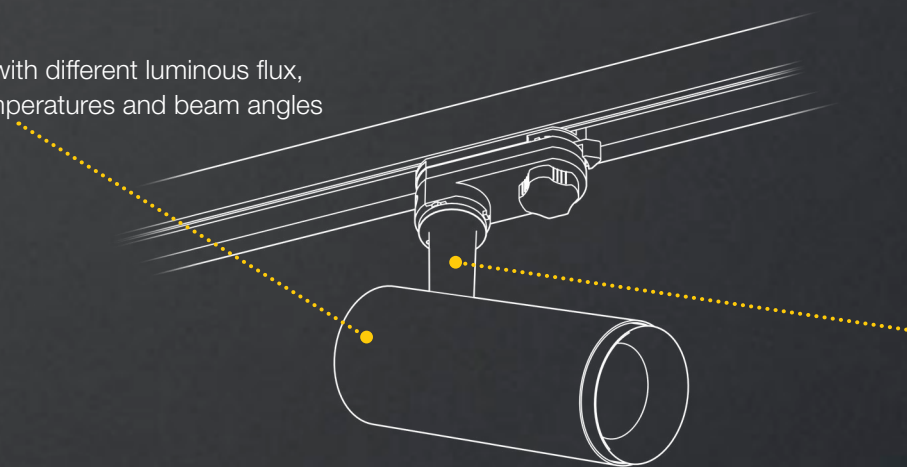


	<b>Feed, DALI, earth left</b> Max. 10 A   polycarbonate (PC) L: 13.9 cm W: 3.5 cm H: 3.3 cm ■ black                      Prod. no. 1002637 □ white                      Prod. no. 1002639		<b>Insulating connector</b> Polycarbonate (PC) L: 6.8 cm W: 3.1 cm H: 2.6 cm ■ black                      Prod. no. 175080 □ white                      Prod. no. 1001382
	<b>Feed, DALI, earth right</b> Max. 16 A   polycarbonate (PC) L: 13.9 cm W: 3.5 cm H: 3.3 cm ■ black                      Prod. no. 1002638 □ white                      Prod. no. 1002640		<b>Mounting bracket</b> Steel L: 4 cm W: 3.4 cm H: 1.25 cm ■ black                      Prod. no. 1002657 □ white                      Prod. no. 1002658
	<b>Feed, DALI, earth external</b> Max. 16 A   polycarbonate (PC) L: 11.9 cm W: 11.9 cm H: 3.3 cm ■ black                      Prod. no. 1002647 □ white                      Prod. no. 1002649		<b>3-phase adapter, DALI</b> Max. 10 A   polycarbonate (PC) L: 11.3 cm W: 5.5 cm H: 3.3 cm ■ black                      Prod. no. 1002660 □ white                      Prod. no. 1002659
	<b>Feed, DALI, earth internal</b> Max. 16 A   polycarbonate (PC) L: 11.9 cm W: 11.9 cm H: 3.3 cm ■ black                      Prod. no. 1002648 □ white                      Prod. no. 1002650		<b>Mech. 3-phase adapter</b> Aluminium / polycarbonate (PC) L: 6.6 cm W: 6.6 cm H: 3.1 cm ■ black                      Prod. no. 175210 □ white                      Prod. no. 1001395
	<b>T-connector, DALI, earth external, left*</b> Max. 16 A   polycarbonate (PC) L: 20.3 cm W: 11.9 cm H: 3.3 cm ■ black                      Prod. no. 1002652 □ white                      Prod. no. 1002654		<b>Cover</b> Polycarbonate (PC) L: 200 cm W: 2.2 cm H: 0.75 cm ■ black                      Prod. no. 1004939 □ white                      Prod. no. 1004940
	<b>T-connector, DALI, earth external, right*</b> Max. 16 A   polycarbonate (PC) L: 20.3 cm W: 11.9 cm H: 3.3 cm ■ black                      Prod. no. 1002651 □ white                      Prod. no. 1002653		<b>End cap</b> Polycarbonate (PC) L: 3.5 cm W: 3.3 cm H: 3.2 cm ■ black                      Prod. no. 175060 □ white                      Prod. no. 1001380
	<b>T-connector, DALI, earth internal, left*</b> Max. 16 A   polycarbonate (PC) L: 20.3 cm W: 11.9 cm H: 3.3 cm ■ black                      Prod. no. 1004941 □ white                      Prod. no. 1004942		<b>Pendant suspension</b> Aluminium / polycarbonate (PC) L: 6 cm W: 6 cm H: 4 cm   max. 10 kg ■ black                      Prod. no. 175160 □ white                      Prod. no. 1001390
	<b>T-connector, DALI, earth internal, right*</b> Max. 16 A   polycarbonate (PC) L: 20.3 cm W: 11.9 cm H: 3.3 cm ■ black                      Prod. no. 1004943 □ white                      Prod. no. 1004944		<b>Joint connector</b> Aluminium L: 18.2 cm W: 3.3 cm H: 2.1 cm ■ black                      Prod. no. 175180 □ white                      Prod. no. 1001392
	<b>X-connector, DALI*</b> Max. 16 A   polycarbonate (PC) L: 20.3 cm W: 20.3 cm H: 3.3 cm ■ black                      Prod. no. 1002655 □ white                      Prod. no. 1002656		<b>Hook</b> Polycarbonate (PC) / steel H: 5.2 cm diameter: 2.6 cm   max. 10 kg ■ black                      Prod. no. 175190 □ white                      Prod. no. 1001393
	<b>Longitudinal connector, DALI</b> Max. 16 A   polycarbonate (PC) L: 10.6 cm W: 2.5 cm H: 2.8 cm ■ black                      Prod. no. 1002641 □ white                      Prod. no. 1002642		<b>Ceiling rose</b> Max. 16 A   polycarbonate (PC) H: 3.56 cm diameter: 14.32 cm ■ black                      Prod. no. 1004684 □ white                      Prod. no. 1004685
	<b>Longitudinal connector, DALI*</b> Max. 10 A   polycarbonate (PC) L: 20.3 cm W: 3.5 cm H: 3.3 cm ■ black                      Prod. no. 1002643 □ white                      Prod. no. 1002644		<b>Wire rope suspension, 2-piece</b> Stainless steel / brass L: 500 cm   max. 10 kg ■ nickel                      Prod. no. 1002845
	<b>Flexible connector, DALI</b> Max. 16 A   polycarbonate (PC) L: 28.5 cm W: 3.5 cm H: 3.3 cm ■ black                      Prod. no. 1002645 □ white                      Prod. no. 1002646		

\* with feed capability



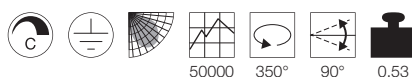
Available with different luminous flux,  
colour temperatures and beam angles



Can be pivoted 90°  
and rotated 350°



# NUMINOS® S



Nominal voltage (V)	220-240 V ~50/60 Hz   250 mA
System output (W)	11
CRI	90
Material	aluminium / plastic
L / diameter / H (cm)	16.2 / 6.5 / 14.5



■ black

Colour temperature (K)	2700 K	2700 K	2700 K	3000 K	3000 K	3000 K	4000 K	4000 K	4000 K
Luminous flux (lm)	985 lm	985 lm	980 lm	1020 lm	1020 lm	1020 lm	1100 lm	1100 lm	1100 lm
Angle	24°	36°	60°	24°	36°	60°	24°	36°	60°
Prod. no.	1004074	1004075	1004076	1004082	1004083	1004084	1004090	1004091	1004092

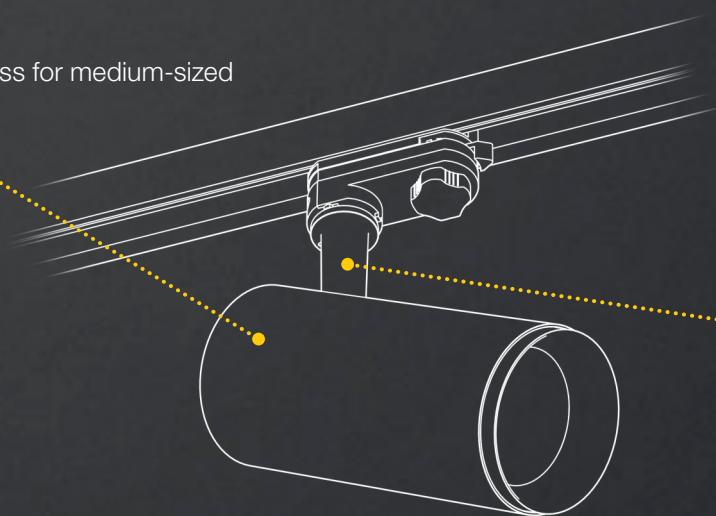
□ white

Colour temperature (K)	2700 K	2700 K	2700 K	3000 K	3000 K	3000 K	4000 K	4000 K	4000 K
Luminous flux (lm)	985 lm	985 lm	980 lm	1020 lm	1020 lm	1020 lm	1100 lm	1100 lm	1100 lm
Angle	24°	36°	60°	24°	36°	60°	24°	36°	60°
Prod. no.	1004078	1004079	1004080	1004086	1004087	1004088	1004094	1004095	1004096





The ideal power class for medium-sized shops and offices



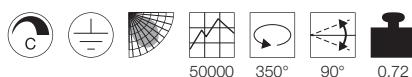
Can be pivoted 90° and rotated 350°



# NUMINOS® M



NUMINOS® M



Nominal voltage (V)	220-240 V ~50/60 Hz   500 mA
System output (W)	20
CRI	90
Material	aluminium / plastic
L / diameter / H (cm)	18.5 / 8.5 / 16.5



■ black

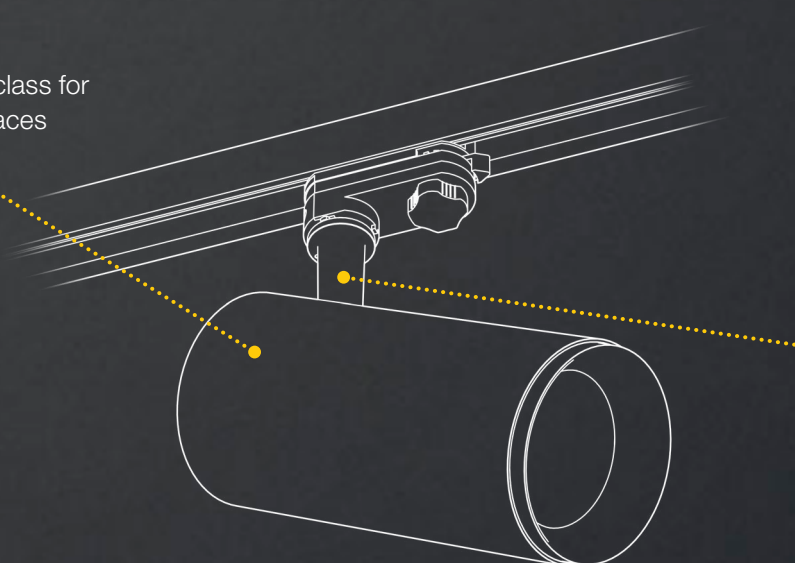
Colour temperature (K)	2700 K	2700 K	2700 K	3000 K	3000 K	3000 K	4000 K	4000 K	4000 K
Luminous flux (lm)	1925 lm	1935 lm	1885 lm	1955 lm	1970 lm	1880 lm	2125 lm	2120 lm	2060 lm
Angle	24°	36°	60°	24°	36°	60°	24°	36°	60°
Prod. no.	1004170	1004171	1004172	1004178	1004179	1004180	1004186	1004187	1004188

□ white

Colour temperature (K)	2700 K	2700 K	2700 K	3000 K	3000 K	3000 K	4000 K	4000 K	4000 K
Luminous flux (lm)	1925 lm	1935 lm	1885 lm	1955 lm	1970 lm	1880 lm	2125 lm	2120 lm	2060 lm
Angle	24°	36°	60°	24°	36°	60°	24°	36°	60°
Prod. no.	1004174	1004175	1004176	1004182	1004183	1004184	1004190	1004191	1004192



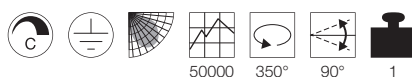
The highest power class for large shops and spaces



Can be pivoted 90° and rotated 350°



# NUMINOS® L



Nominal voltage (V)	220-240 V ~50/60 Hz   700 mA
System output (W)	28
CRI	90
Material	aluminium / plastic
L / diameter / H (cm)	21.3 / 10 / 18



■ black

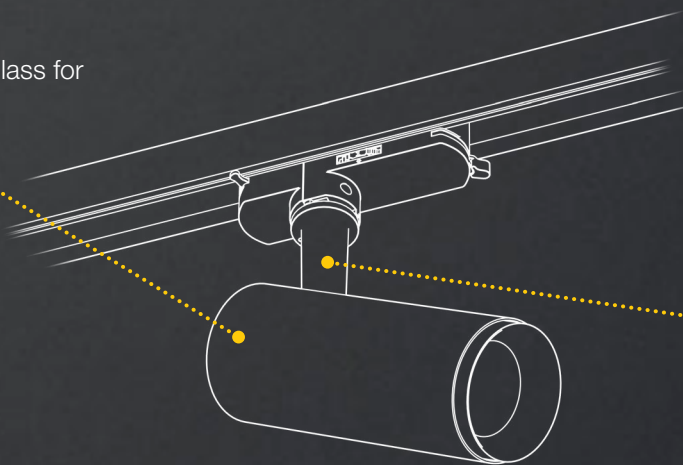
Colour temperature (K)	2700 K	2700 K	2700 K	3000 K	3000 K	3000 K	4000 K	4000 K	4000 K
Luminous flux (lm)	2440 lm	2400 lm	2475 lm	2430 lm	2340 lm	2400 lm	2675 lm	2620 lm	2715 lm
Angle	24°	36°	60°	24°	36°	60°	24°	36°	60°
Prod. no.	1004266	1004267	1004268	1004274	1004275	1004276	1004282	1004283	1004284

□ white

Colour temperature (K)	2700 K	2700 K	2700 K	3000 K	3000 K	3000 K	4000 K	4000 K	4000 K
Luminous flux (lm)	2440 lm	2400 lm	2475 lm	2430 lm	2340 lm	2400 lm	2675 lm	2620 lm	2715 lm
Angle	24°	36°	60°	24°	36°	60°	24°	36°	60°
Prod. no.	1004270	1004271	1004272	1004278	1004279	1004280	1004286	1004287	1004288



The smallest power class for  
DALI-controlled light



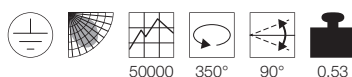
Can be pivoted 90°  
and rotated 350°





# NUMINOS® S

## DALI



50000 350° 90° 0,53

Nominal voltage (V)	220-240 V ~50/60 Hz   250 mA
System output (W)	11
CRI	90
Material	aluminium / plastic
L / diameter / H (cm)	16.2 / 6.5 / 14.5



■ black

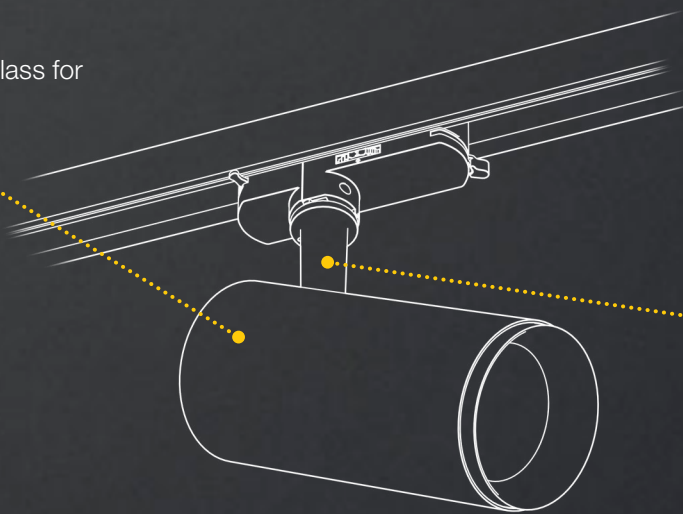
Colour temperature (K)	2700 K	2700 K	2700 K	3000 K	3000 K	3000 K	4000 K	4000 K	4000 K
Luminous flux (lm)	985 lm	985 lm	980 lm	1020 lm	1020 lm	1020 lm	1100 lm	1100 lm	1100 lm
Angle	24°	36°	60°	24°	36°	60°	24°	36°	60°
Prod. no.	1004362	1004363	1004364	1004370	1004371	1004372	1004378	1004379	1004380

□ white

Colour temperature (K)	2700 K	2700 K	2700 K	3000 K	3000 K	3000 K	4000 K	4000 K	4000 K
Luminous flux (lm)	985 lm	985 lm	980 lm	1020 lm	1020 lm	1020 lm	1100 lm	1100 lm	1100 lm
Angle	24°	36°	60°	24°	36°	60°	24°	36°	60°
Prod. no.	1004366	1004367	1004368	1004374	1004375	1004376	1004382	1004383	1004384



The medium power class for  
DALI-controlled light

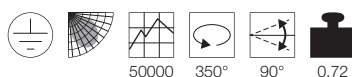


Can be pivoted 90°  
and rotated 360°



# NUMINOS® M

## DALI



Nominal voltage (V)	220-240 V ~50/60 Hz   500 mA
System output (W)	20
CRI	90
Material	aluminium / plastic
L / diameter / H (cm)	18.5 / 8.5 / 16.5

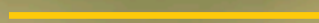


■ black

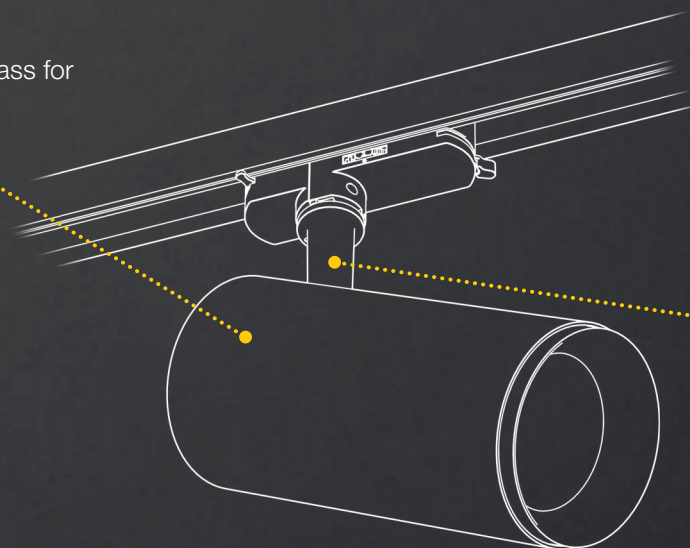
Colour temperature (K)	2700 K	2700 K	2700 K	3000 K	3000 K	3000 K	4000 K	4000 K	4000 K
Luminous flux (lm)	1925 lm	1935 lm	1885 lm	1955 lm	1970 lm	1880 lm	2125 lm	2120 lm	2060 lm
Angle	24°	36°	60°	24°	36°	60°	24°	36°	60°
Prod. no.	1004458	1004459	1004460	1004466	1004467	1004468	1004474	1004475	1004476

□ white

Colour temperature (K)	2700 K	2700 K	2700 K	3000 K	3000 K	3000 K	4000 K	4000 K	4000 K
Luminous flux (lm)	1925 lm	1935 lm	1885 lm	1955 lm	1970 lm	1880 lm	2125 lm	2120 lm	2060 lm
Angle	24°	36°	60°	24°	36°	60°	24°	36°	60°
Prod. no.	1004462	1004463	1004464	1004470	1004471	1004472	1004478	1004479	1004480



The largest power class for  
DALI-controlled light

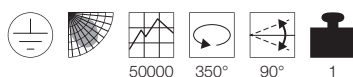


Can be pivoted 90°  
and rotated 350°



# NUMINOS® L

## DALI



50000 350° 90° 1

Nominal voltage (V)	220-240 V ~50/60 Hz   700 mA
System output (W)	28
CRI	90
Material	aluminium / plastic
L / diameter / H (cm)	21.3 / 10 / 18



■ black

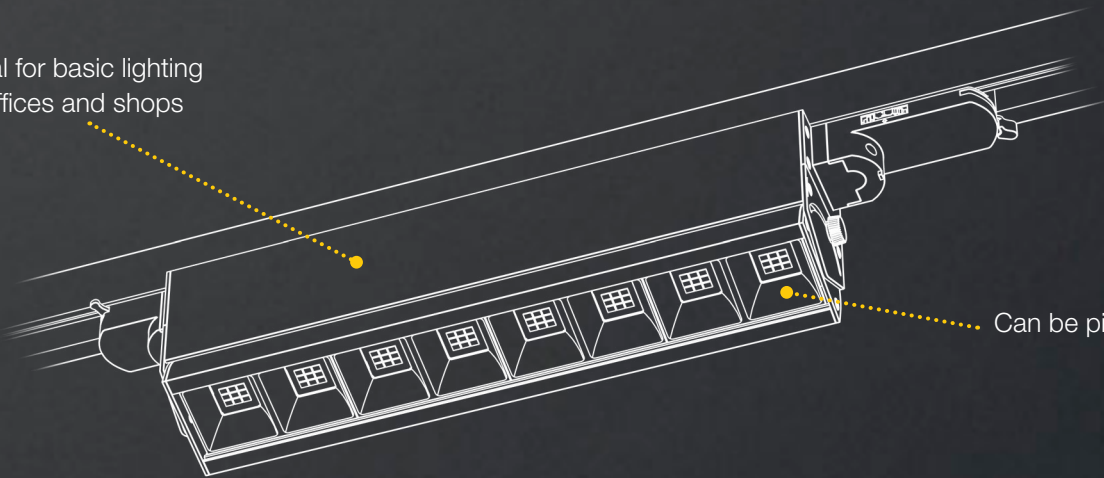
Colour temperature (K)	2700 K	2700 K	2700 K	3000 K	3000 K	3000 K	4000 K	4000 K	4000 K
Luminous flux (lm)	2440 lm	2400 lm	2475 lm	2430 lm	2340 lm	2400 lm	2675 lm	2620 lm	2715 lm
Angle	24°	36°	60°	24°	36°	60°	24°	36°	60°
Prod. no.	1004554	1004555	1004556	1004562	1004563	1004564	1004570	1004571	1004572

□ white

Colour temperature (K)	2700 K	2700 K	2700 K	3000 K	3000 K	3000 K	4000 K	4000 K	4000 K
Luminous flux (lm)	2440 lm	2400 lm	2475 lm	2430 lm	2340 lm	2400 lm	2675 lm	2620 lm	2715 lm
Angle	24°	36°	60°	24°	36°	60°	24°	36°	60°
Prod. no.	1004558	1004559	1004560	1004566	1004567	1004568	1004574	1004575	1004576



Ideal for basic lighting  
in offices and shops



Can be pivoted 120°



# SIGHT MOVE

## DALI



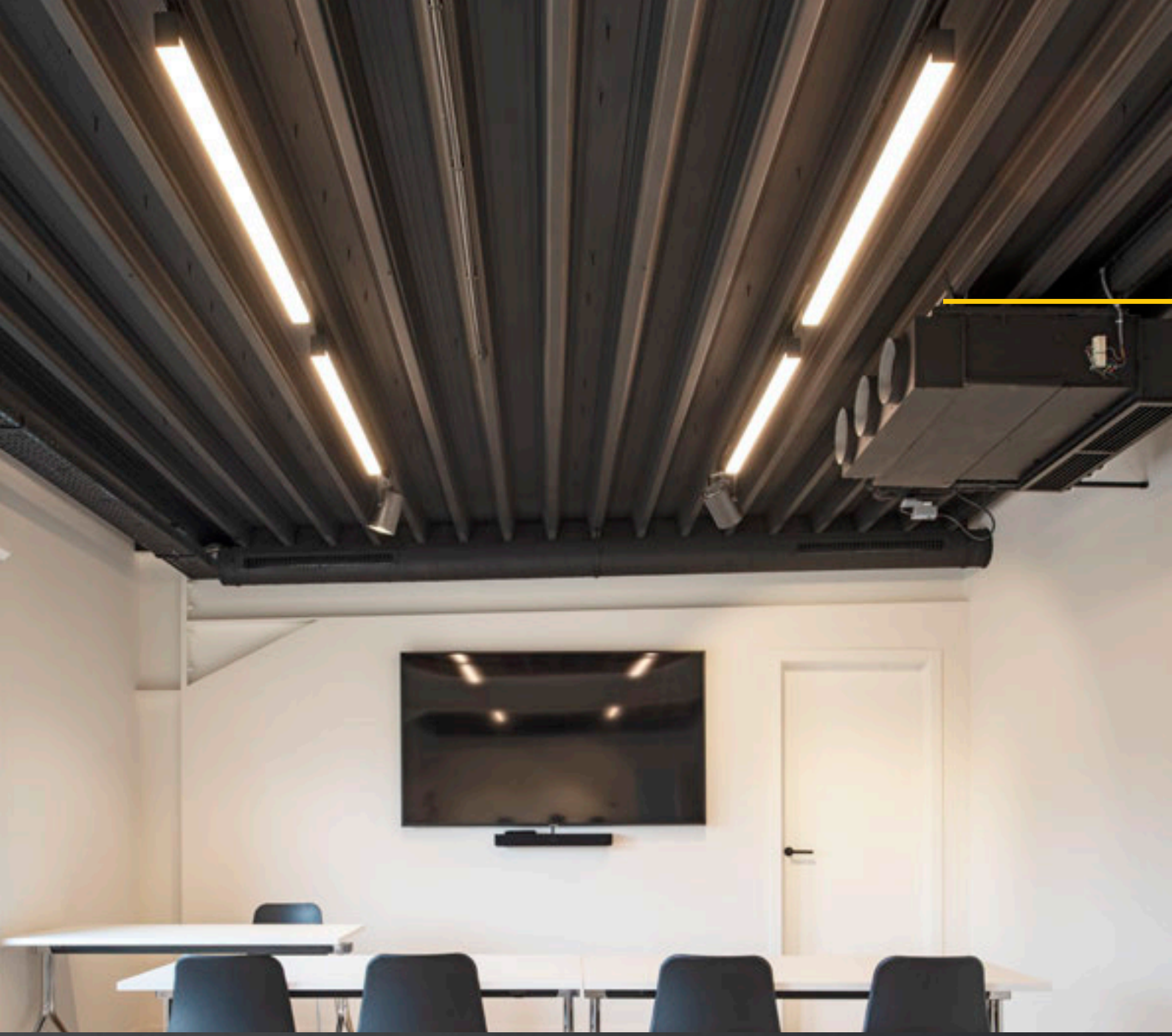
SIGHT MOVE DALI



Nominal voltage (V)	220-240 V ~50/60 Hz   350 mA			
System output (W)	26			
CRI	90			
Material	aluminium / polymethyl methacrylate (PMMA)			
L / W / H (cm)	45 / 5.6 / 10.5			



	■ black		□ white	
Colour temperature (K)	3000 K	4000 K	3000 K	4000 K
Luminous flux (lm)	2700 lm	3100 lm	2700 lm	3100 lm
Prod. no.	1004690	1004692	1004691	1004693



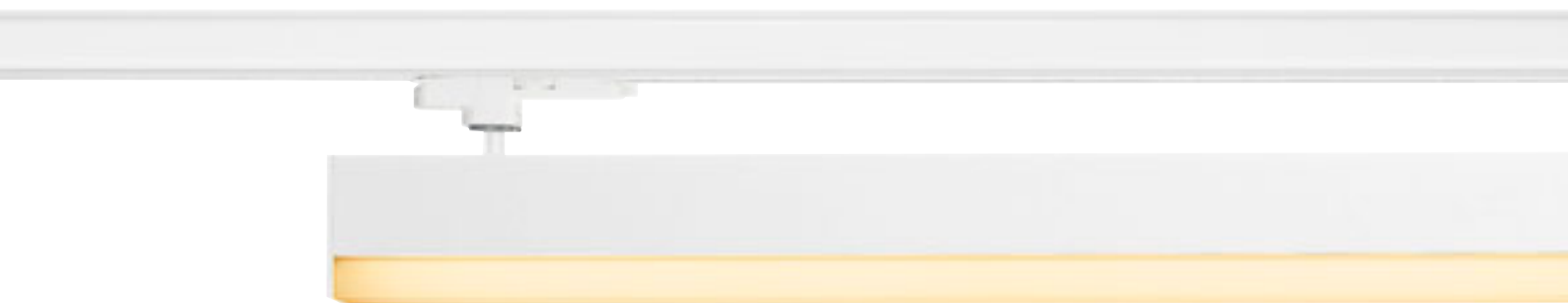
Ideal for basic lighting  
in offices and shops





# SIGHT TRACK

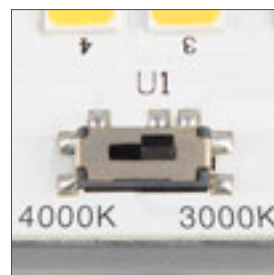
## DALI



SIGHT TRACK DALI



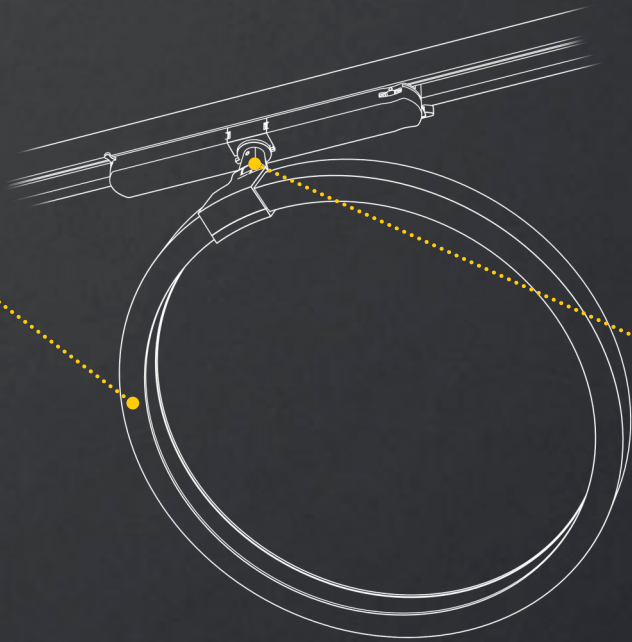
Nominal voltage (V)	220-240 V ~50/60 Hz   700 mA	
System output (W)	39	
CRI	90	
Material	aluminium / acrylic	
L / W / H (cm)	114 / 4.5 / 12	



	<input checked="" type="checkbox"/> black	<input type="checkbox"/> white
Colour temperature (K)	3000 K / 4000 K	3000 K / 4000 K
Luminous flux (lm)	3000 lm / 3000 lm	3000 lm / 3000 lm
Prod. no.	1005397	1005399



Creates indirect lighting



Can be pivoted 100°  
and rotated 340°

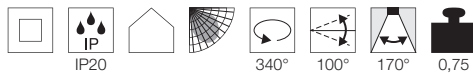


# ONE 40 TRACK

DALI



ONE 40 TRACK DALI



Nominal voltage (V)	220-240 V ~50/60 Hz   350 mA			
System output (W)	15.2			
CRI	90			
Material	aluminium			
Diameter / H (cm)	40 / 10.5			



	■ black		□ white	
Colour temperature (K)	3000 K	4000 K	3000 K	4000 K
Luminous flux (lm)	650 lm	670 lm	650 lm	670 lm
Prod. no.	1004769	1004771	1004770	1004772

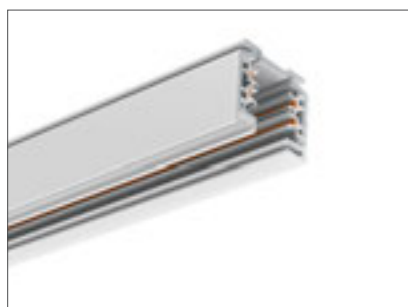


# EUTRAC®

## 3-phase surface-mounted track

### Standard requirements?

If you are looking for a proven track system or the bid you are working on requires one, the aluminium support track on the EUTRAC® high-voltage 3-phase track system is compatible with SLV lights. The surface-mounted version is available in several colours and lengths.

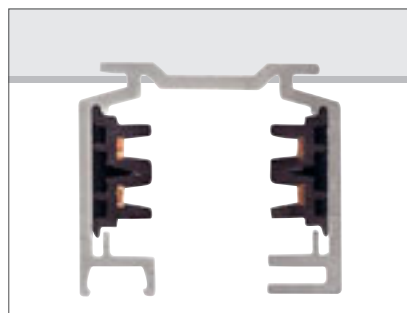


	1 m	1 m	1 m	2 m	2 m	2 m
<b>Nominal voltage (V)</b>	220-240 V ~50/60 Hz	220-240 V ~50/60 Hz	220-240 V ~50/60 Hz	220-240 V ~50/60 Hz	220-240 V ~50/60 Hz	220-240 V ~50/60 Hz
<b>Max. current (A)</b>	16	16	16	16	16	16
<b>Material</b>	aluminium / polycarbonate (PC)	aluminium / polycarbonate (PC)	aluminium / polycarbonate (PC)	aluminium / polycarbonate (PC)	aluminium / polycarbonate (PC)	aluminium / polycarbonate (PC)
<b>Colour</b>	■ black	□ white	■ grey	■ black	□ white	■ grey
<b>L x W x H (cm)</b>	100 x 3.6 x 3.2	100 x 3.6 x 3.2	100 x 3.6 x 3.2	200 x 3.6 x 3.2	200 x 3.6 x 3.2	200 x 3.6 x 3.2
<b>Weight (kg)</b>	1.0	1.0	1.0	2.0	2.0	2.0
<b>Prod. no.</b>	145100	1001510	145102	145200	1001511	145202

Manufacturer: EUTRAC® Stromschienen GmbH

	3 m	3 m	3 m
<b>Nominal voltage (V)</b>	220-240 V ~50/60 Hz	220-240 V ~50/60 Hz	220-240 V ~50/60 Hz
<b>Max. current (A)</b>	16	16	16
<b>Material</b>	aluminium / polycarbonate (PC)	aluminium / polycarbonate (PC)	aluminium / polycarbonate (PC)
<b>Colour</b>	■ black	□ white	■ grey
<b>L x W x H (cm)</b>	300 x 3.6 x 3.2	300 x 3.6 x 3.2	300 x 3.6 x 3.2
<b>Weight (kg)</b>	3.0	3.0	3.0
<b>Prod. no.</b>	145300	1001512	145302

Manufacturer: EUTRAC® Stromschienen GmbH



# EUTRAC®

## 3-phase surface-mounted track Planning assistance and accessories at a glance

View of components from above  
on the installation side



145510  
1001513  
145514



145670  
1001520  
145674



145630  
1001518  
145634



145690  
1001522  
145694



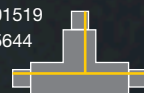
145520  
1001514  
145524



145680  
1001521  
145684

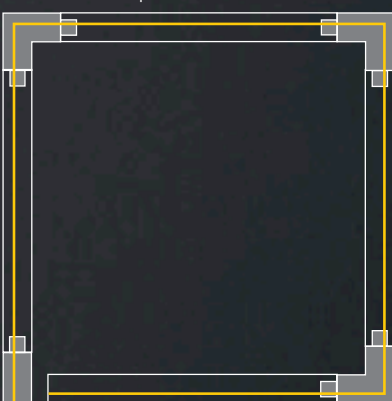


145640  
1001519  
145644



Example: external earth

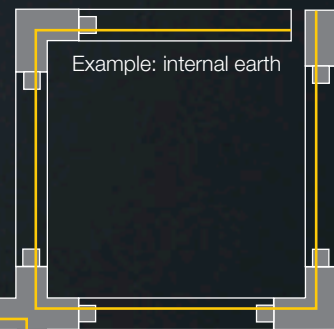
145670  
1001520  
145674



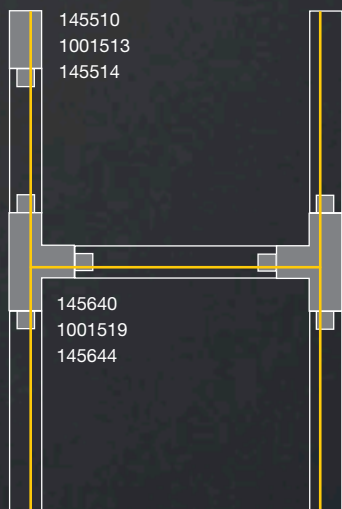
145670  
1001520  
145674

145680  
1001521  
145684

145520  
1001514  
145524

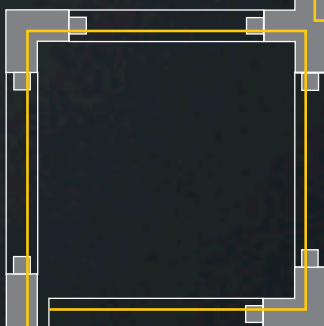


145510  
1001513  
145514



145670  
1001520  
145674

145680  
1001521  
145684



145690  
1001522  
145694

145680  
1001521  
145684

145520  
1001514  
145524

145680  
1001521  
145684



**Feed, earth left**

Max. 16 A | polycarbonate (PC)  
L: 11.2 cm W: 3.6 cm H: 3.2 cm

- black Prod. no. 145510
- white Prod. no. 1001513
- grey Prod. no. 145514



**Joint connector**

Polycarbonate (PC)  
L: 10 cm W: 3.6 cm H: 1.9 cm

- black Prod. no. 145600
- white Prod. no. 1001523
- grey Prod. no. 145604



**Feed, earth right**

Max. 16 A | polycarbonate (PC)  
L: 11.2 cm W: 3.6 cm H: 3.2 cm

- black Prod. no. 145520
- white Prod. no. 1001514
- grey Prod. no. 145524



**Flex connector**

Max. 16 A | polycarbonate (PC) / steel  
L: 22 cm W: 3.6 cm H: 3.2 cm

- black Prod. no. 145580
- white Prod. no. 1001524
- grey Prod. no. 145584



**Central feed**

Max. 16 A | polycarbonate (PC)  
L: 13 cm W: 3.6 cm H: 3.6 cm

- black Prod. no. 145530
- white Prod. no. 1001515
- grey Prod. no. 145534



**Outlet**

Max. 6.3 A | polycarbonate (PC)  
L: 9.6 cm W: 6.5 cm H: 9 cm

- black Prod. no. 145700
- white Prod. no. 1001525



**Longitudinal connector\***

Max. 16 A | polycarbonate (PC) / steel  
L: 26 cm W: 3.6 cm H: 3.2 cm

- black Prod. no. 145660
- white Prod. no. 1001517
- grey Prod. no. 145664



**3-phase light adapter**

Max. 10 A | polycarbonate (PC)

- black Prod. no. 145990
- white Prod. no. 1001542
- grey Prod. no. 145994



**Longitudinal connector**

Max. 16 A | polycarbonate (PC)  
L: 5.8 cm W: 1.5 cm H: 2.6 cm

- black Prod. no. 145560
- white Prod. no. 1001516
- grey Prod. no. 145564



**Pendant clip**

Aluminium  
L: 5 cm W: 3.6 cm H: 1.9 cm

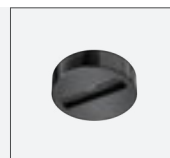
- black Prod. no. 145730
- white Prod. no. 1001530
- grey Prod. no. 145734



**L-connector, earth internal\***

Max. 16 A | polycarbonate (PC) / steel  
L: 15 cm W: 15 cm H: 3.2 cm

- black Prod. no. 145680
- white Prod. no. 1001521
- grey Prod. no. 145684



**Point outlet**

Max. 16 A | polycarbonate (PC)  
H: 3.1 cm diameter: 11.9 cm

- black Prod. no. 145830
- white Prod. no. 1001526
- grey Prod. no. 145834



**L-connector, earth external\***

Max. 16 A | polycarbonate (PC) / steel  
L: 15 cm W: 15 cm H: 3.2 cm

- black Prod. no. 145670
- white Prod. no. 1001520
- grey Prod. no. 145674



**End cap**

Polycarbonate (PC)  
L: 3.6 cm W: 1.7 cm H: 3.2 cm

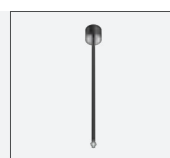
- black Prod. no. 145590
- white Prod. no. 1001527
- grey Prod. no. 145594



**T-connector, earth internal, left\***

Max. 16 A | polycarbonate (PC) / steel  
L: 26 cm W: 18.5 cm H: 3.2 cm

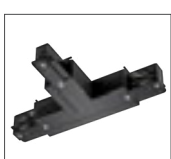
- black Prod. no. 145630
- white Prod. no. 1001518
- grey Prod. no. 145634



**Pendant suspension**

Polycarbonate (PC) / steel  
L: 60 cm H: 63.5 cm diameter: 7 cm

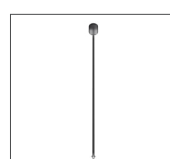
- black Prod. no. 145720
- white Prod. no. 1001529
- grey Prod. no. 145724



**T-connector, earth internal, right\***

Max. 16 A | polycarbonate (PC) / steel  
L: 26 cm W: 18.5 cm H: 3.2 cm

- black Prod. no. 145640
- white Prod. no. 1001519
- grey Prod. no. 145644



**Pendant suspension**

Polycarbonate (PC) / steel  
L: 120 cm H: 122 cm diameter: 7 cm

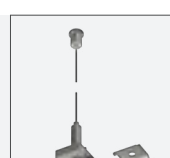
- black Prod. no. 145710
- white Prod. no. 1001528
- grey Prod. no. 145714



**X-connector\***

Max. 16 A | polycarbonate (PC) / steel  
L: 26 cm W: 26 cm H: 3.2 cm  
2 separate power circuits

- black Prod. no. 145690
- white Prod. no. 1001522
- grey Prod. no. 145694



**Wire rope suspension, 2-piece**

Stainless steel / brass  
L: 500 cm | max. 10 kg

- nickel Prod. no. 1002845

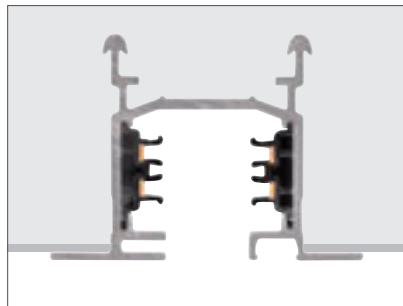
\* with feed capability





## 3-phase recessed track with suitable accessories

For projects with high aesthetic demands:  
the recessed version of the EUTRAC® high-voltage 3-phase track



	2 m	3 m
Nominal voltage (V)	220-240 V ~50/60 Hz	220-240 V ~50/60 Hz
Max. current (A)	16	16
Material	aluminium / polycarbonate (PC)	aluminium / polycarbonate (PC)
Colour	<input type="checkbox"/> white	<input type="checkbox"/> white
L x W x H (cm)	200 x 5.9 x 4.1	300 x 5.9 x 4.1
Recessed W (cm)	4	4
Weight (kg)	2.6	3.9
Prod. no.	1001531	1001532

Manufacturer: EUTRAC® Stromschienen GmbH

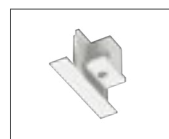


### Feed, earth left

Max. 16 A | polycarbonate (PC) / steel  
L: 12.2 cm W: 6 cm H: 3.4 cm

white

Prod. no. 1001533



### End cap

Polycarbonate (PC)  
L: 2.7 cm W: 6 cm H: 3.2 cm

white

Prod. no. 1001538



### Feed, earth right

Max. 16 A | polycarbonate (PC) / steel  
L: 12.2 cm W: 6 cm H: 3.4 cm

white

Prod. no. 1001534

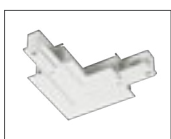


### Longitudinal connector with stabiliser

Max. 16 A | polycarbonate (PC) / steel  
L: 6.2 cm W: 2.5 cm H: 2.7 cm

white

Prod. no. 1001539

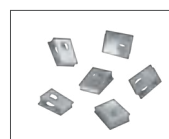


### Recessed L-connector with feed

Max. 16 A | polycarbonate (PC) / steel  
L: 16 cm W: 16 cm H: 3.2 cm  
Earth external, with feed capability

white

Prod. no. 1001536

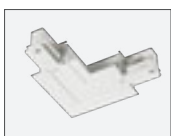


### Spring clip

Steel  
L: 2 cm W: 1 cm H: 2.5 cm

grey

Prod. no. 145551



### Recessed L-connector with feed

Max. 16 A | polycarbonate (PC) / steel  
L: 16 cm W: 16 cm H: 3.2 cm  
Earth internal, with feed capability

white

Prod. no. 1001537



### 3-phase light adapter

Max. 10 A | polycarbonate (PC)


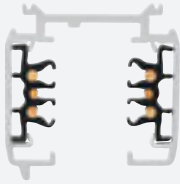
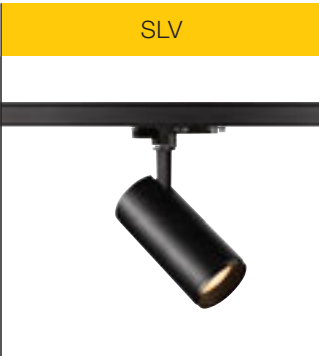
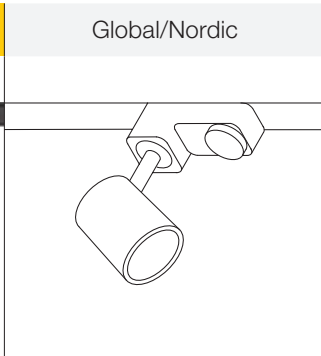
white

Prod. no. 1001542


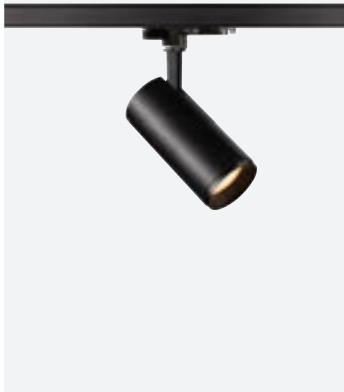
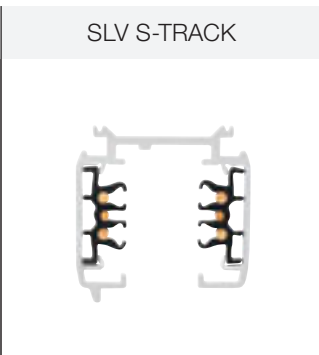
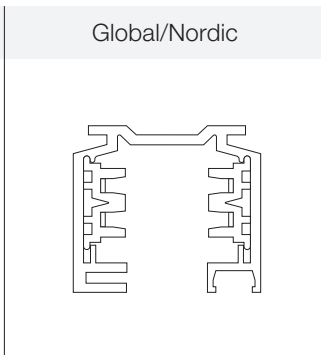
# COMPATIBILITY

## 3-phase busbars

Compatible with lights/adapters from:

 Tracks and track components S-Track DALI	Use	SLV	Global/Nordic
			
without DALI	✓	✓	
with DALI	✓	✓	

Compatible with tracks and track components from:

 Lights S-Track DALI	Use	SLV S-TRACK	Global/Nordic
			
without DALI	✓	✓	
with DALI	✓	✓	

★ Subject to prior testing using light and track samples

★★ But without DALI functionality

Details not guaranteed.

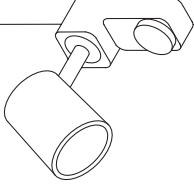
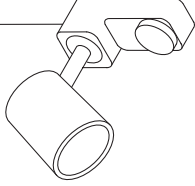
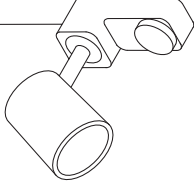
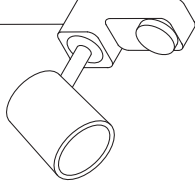
Technical data and dimensions are subject to change without notice.

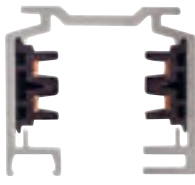
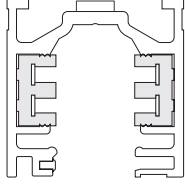
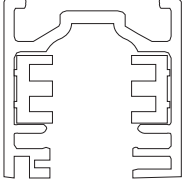
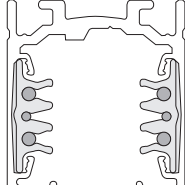
During the planning phase of the project, check the project using samples to ensure functionality.

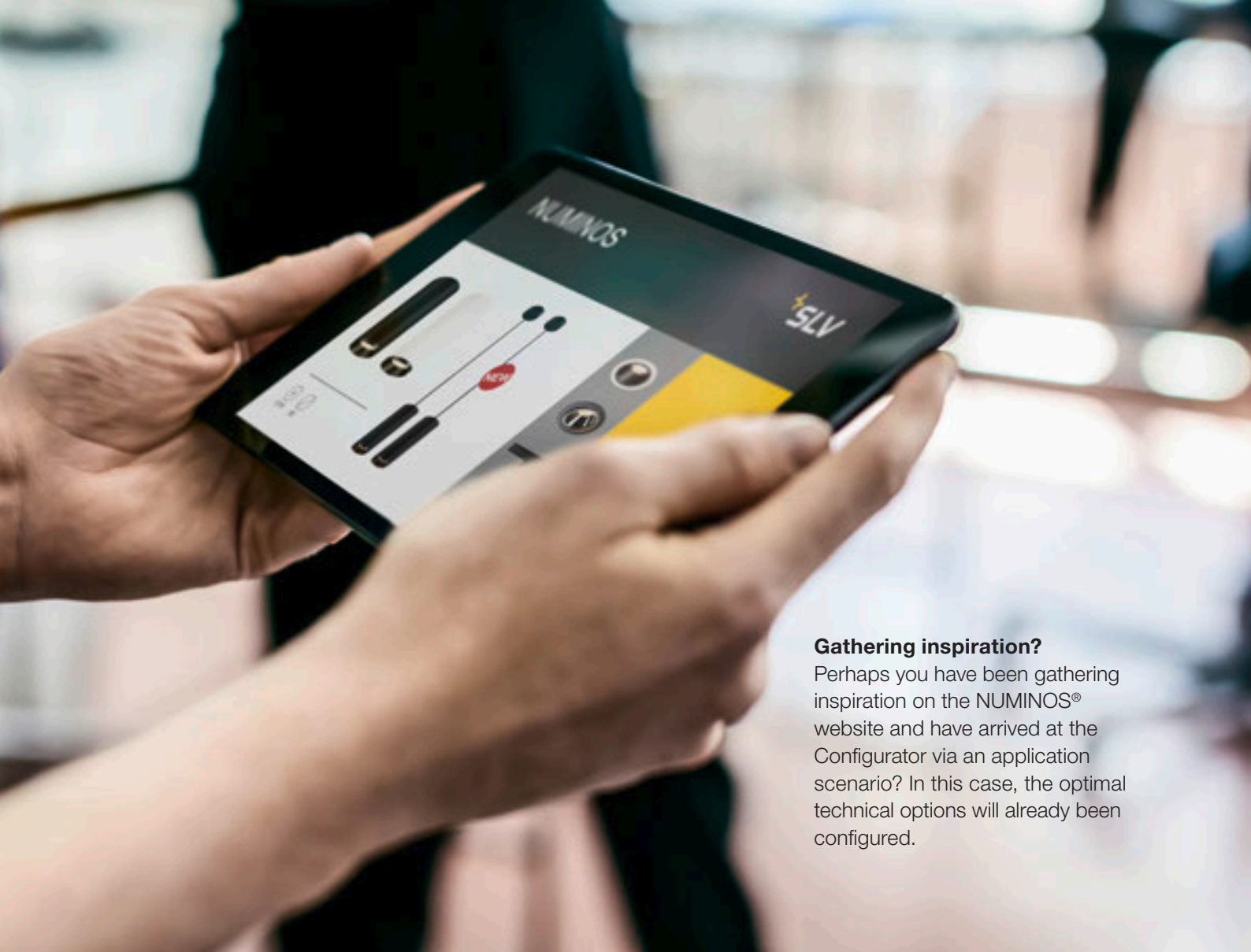
Compatibility refers only to tracks/lights.

Tracks and track components from different manufacturers should not be combined.

The SLV track systems and components are highly compatible with lights and adapters from EUTRAC®, Zumtobel, Erco and LTS ONETrack. Subject to prior testing using light and track samples.

	EUTRAC®	Zumtobel	Erco	LTS ONETrack
				
	★	✓	✓	✓
	✗	✓	✓	✓

	EUTRAC®	Zumtobel	Erco	LTS ONETrack
				
	✓	✓	✓	✓
	✓★★	✓	✓	✓



### **Gathering inspiration?**

Perhaps you have been gathering inspiration on the NUMINOS® website and have arrived at the Configurator via an application scenario? In this case, the optimal technical options will already be configured.

# NUMINOS®

---

## **Online configuration – with a system**

Create your ideal track spot in just a few simple steps – with the SLV NUMINOS® Online Configurator

NUMINOS® is a perfectly coordinated lighting system that offers consistent lighting characteristics and modern design for any application. Our Online Configurator will help you to choose between the large range of sizes and diameters, power classes, lens options and beam angles available to identify the perfect spotlight for your projects.

In addition to the spots for 3-phase track systems, the NUMINOS® spotlights are also available as swivelling or fixed ceiling spots and pendant lights.



Follow this link for the SLV NUMINOS® Online Configurator:  
[www.ks-light.co.uk/numinos-configurators-en](http://www.ks-light.co.uk/numinos-configurators-en)

## SPOTLIGHTS



Available in three housing sizes (65x155 mm, 85x175 mm, 100x203 mm) with a high-power LED module in three light colours (2700 K, 3000 K, 4000 K)

Thanks to the built-in LED driver (suitable for phase dimming, DALI), all spotlights are suitable for direct connection to 230 V mains voltage

Choice of lenses with beam angles of 24°, 36° or 60°

NUMINOS® spotlights are available as swivelling or fixed ceiling spots, pendant lights and as spots for 3-phase track systems.





# SYMBOL KEY



## PRODUCT CHARACTERISTICS

Information on whether **light sources and control units** can be replaced by the end customer or qualified individuals **without causing permanent damage to the lights**



· The LED can be replaced by a qualified person.



**Weight** of the product in kilograms (kg)



**Rotating and pivoting capacity in degrees:**

- Rotation range
- Pivot range



**Beam angle**

Describes the beam angle in degrees. The smaller the angle, the more concentrated the light will be.



**Average lifespan** of a lightbulb or light source in hours



**Preservation of luminous flux**

Describes how much the luminous flux of an LED decreases during a specified period.



A light distribution curve for the relevant product can be sent to you on request.

## SAFETY DETAILS



**Protection classes**

- Protection class I / protective conductor
- Protection class II / protection via double or strengthened insulation

## APPLICATION AREA · ASSEMBLY



**IP protection rating**

Indicates the suitability of electrical equipment for different environmental conditions



Use **exclusively** for indoor spaces

## SPECIAL SYMBOLS



Indicates products  
· with **built-in** LEDs



**Connected lighting**

Indicates smart products that use the following protocols:  
· DALI

## Image credits

© SLV GmbH, 2021  
© Chlorophylle | Adobe Stock



KS Licht- u. Elektrotechnik GmbH  
Manderscheidstr. 8c  
D-45141 Essen

Tel.: +49 (0)201-89924-0  
Fax: +49 (0)201-89924-124

Internet: [www.KS-Germany.com](http://www.KS-Germany.com)  
Email: [Verkauf@KS-Germany.com](mailto:Verkauf@KS-Germany.com)